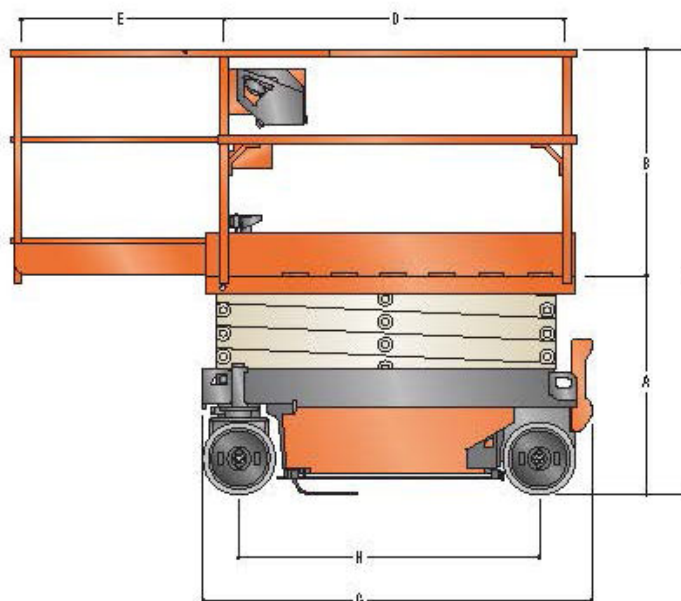
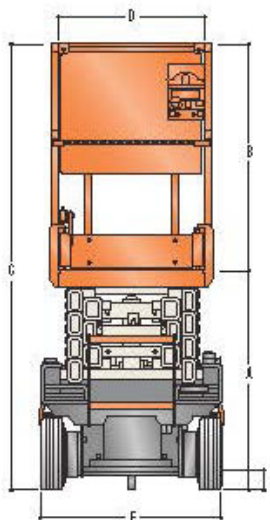


Performance

Platform Height–Elevated (Indoor/Outdoor)	4.5 m / 3 m
Platform Capacity (Indoor/Outdoor)	227 kg / 227 kg
Capacity on Platform Extension	115 kg
Number of Occupants (Indoor/Outdoor)	1 / 1
Lift/Lower Time	25/15 seconds
Maximum Drive Height	Fully Elevated
Weight*	880 kg
Ground Bearing Pressure	8.3 kg/cm ²
Drive Speed–Elevated	0.8 km/h
Drive Speed–Lowered	3.8 km/h
Gradeability	25%
Tilt Rating	
Fore and Aft	3.0 degrees
Side to Side	2.5 degrees / 1.5 degrees
Turning Radius (Inside)	Zero
Turning Radius (Outside)	1.4 m



A. Platform Height–Lowered	0.8 m
B. Platform Railing Height	1.1 m
C. Overall Height	1.9 m
D. Platform Size	0.6 x 1.3 m

E. Platform Extension	55 cm
F. Overall Width	76 cm
G. Overall Length	1.4 m
H. Wheelbase	1.1 m
I. Ground Clearance	6 cm